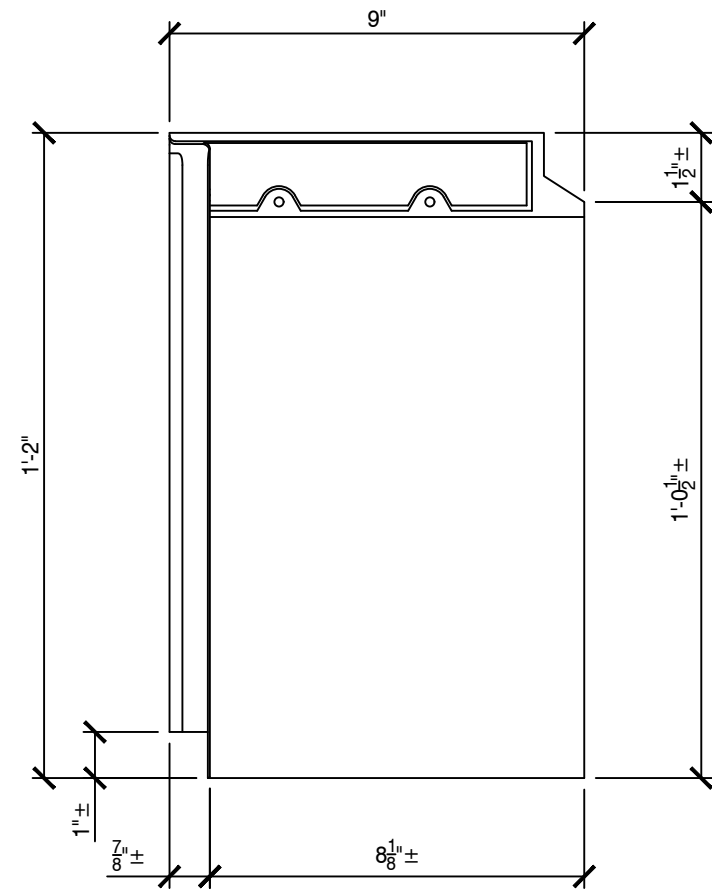


NEXCLAD 14 TERRA COTTA TILE SPECIFICATIONS:

OVERALL TILE SIZE: 9" WIDE X 14" HIGH X 1/8" THICK
 TILE EXPOSURE: 8 1/2" WIDE X 11" HIGH NOMINAL EXPOSURE
 AVERAGE WEIGHT: 8.05 LBS/SQ. FT. (5.06 LBS UNIT WEIGHT)
 (NOTE: WEIGHTS OF ACTUAL TILE MAY VARY BY +/- 10% OF THE AVERAGE WEIGHT REFERENCED ABOVE)



NEXCLAD 14 TILE
NTS

1
T-D1

NEXCLAD 14 GENERAL NOTES:

- THE TILE DIMENSIONS CAN VARY BECAUSE OF CLAY FIRING TEMPERATURES. BE SURE TO MEASURE TILES IN YOUR SHIPMENT TO DETERMINE THEIR AVERAGE WIDTH AND LENGTH DIMENSIONS, SO YOU CAN CHALK YOUR WALL PROPERLY. REFER TO INSTALLATION NOTES FOR ADDITIONAL INFORMATION.
- TILES SHOULD BE CUT WET ON THE JOB WITH A MASONRY OR TILE SAW EQUIPPED WITH A DIAMOND BLADE. SEGMENTED BLADES WILL BE THE MOST EFFICIENT. SLIGHT SURFACE CHIPPING WILL OCCUR DURING THE CUTTING OPERATION. THE SLIDING SAW TABLE AND TUB SHOULD BE AS LARGE AS POSSIBLE TO ACCOMMODATE CUTTING THE TILES DIAGONALLY.
- TILES ARE EXTREMELY HARD, WHICH PROVIDES THE TILES WITH LOW MOISTURE ABSORPTION AND LONG LIFE. DRY CUTTING TECHNIQUES USED ON SOFTER TILE PRODUCTS WILL NOT WORK AS FAST WITH TERREAL'S HARD TILE. DRY CUTTING WITH A GOOD SEGMENTED "TURBO" DIAMOND BLADE IS POSSIBLE. BEST RESULTS HAVE BEEN OBTAINED USING A 4" DIAMOND TIPPED SEGMENTED BLADE MOUNTED ON A SMALL RIGHT ANGLE GRINDER MOTOR.
- *CLEANING NOTE*
ALL CUT TILES SHOULD IMMEDIATELY BE CLEANED WITH FRESH WATER IN ORDER TO PREVENT SLURRY RESIDUE FROM DRYING ONTO FINISH SURFACE OF TERRA COTTA TILE.
- *INSTALLATION NOTE*
PLEASE REFER TO SHEET T-C1 SECTION 6 UNDER "TERRA COTTA PANEL COLOR, HANDLING AND INSTALLATION NOTES" FOR DETAILED INFORMATION ON PROTECTING AND CLEANING THE TILES DURING INSTALLATION.

NEXCLAD 14 INSTALLATION NOTES:

FIELD MEASUREMENTS OF THE WALL SHOULD BE TAKEN TO VERIFY WITH THE DIMENSIONS AND LAYOUT SHOWN ON THE TERRACOTTA SHOP DRAWINGS. LAYOUT AND CHALKING THE WALL ACCURATELY ARE CRITICAL TO THE WALL'S PERFORMANCE AND APPEARANCE. CHECK THE OVERALL WALL TO DETERMINE IF IT IS SQUARE AND PLUMB.

LUDOVICI INTERLOCKING TILES (NEXCLAD 14 & NEXCLAD 16) ARE INSTALLED WITH A MINIMUM HEADLAP OF 3". BEFORE CHALKING THE WALL, THE INSTALLER SHOULD VERIFY THE TILE PATTERN BEING INSTALLED, AND MEASURE, NOTING AVERAGE LENGTH AND WIDTH EXPOSURES OF THE TILE SHIPPED. THE WIDTH EXPOSURE SHOULD ALSO INCLUDE THE SPACING GAP BETWEEN TILES. INTERLOCKING TILES ARE TYPICALLY INSTALLED WITH A GAP OF 1/16". HOWEVER, THIS CAN BE COMPRESSED OR EXPANDED SLIGHTLY. REFER TO TILE SPECIFICATIONS FOR ACTUAL TILE HEIGHT AND WIDTH DIMENSIONS AND EXPOSURE HEIGHT AND WIDTH.

INTERLOCKING TERRA COTTA TILES ARE NORMALLY INSTALLED IN A RIGHT TO LEFT DIRECTION. THIS ALLOWS FOR PROPER INSTALLATION OF THE INTERLOCKING VERTICAL LIP ON THE TILES AND THE SUBSEQUENT INSTALLATION OF THE SIDELOCK CLIP.

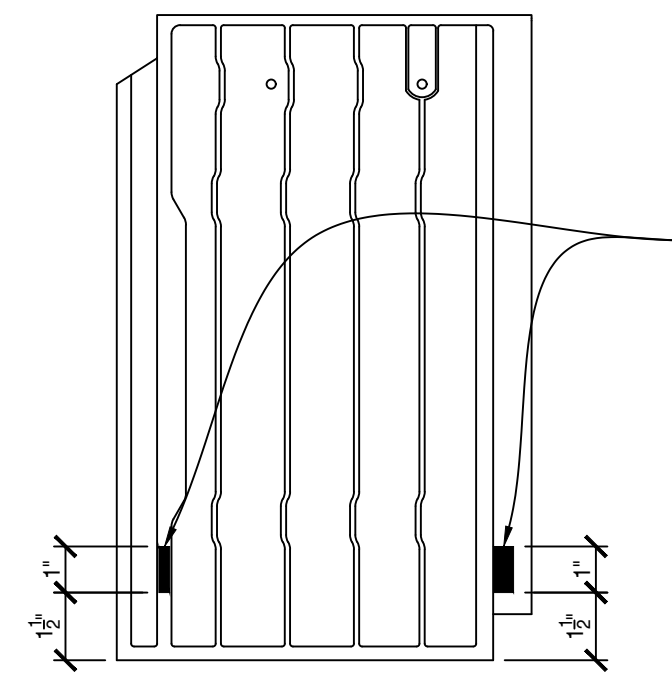
CHALKING VERTICAL LINES SHOULD START AT THE RIGHT END OF THE WALL. TILES ARE INSTALLED IN A RUNNING BOND PATTERN SO A VERTICAL LINE FOR A HALF TILE SHOULD BE CHALKED FIRST. THE REMAINING VERTICAL CHALK LINES SHOULD BE STRUCK AT INTERVALS EQUAL TO THE AVERAGE TILE WIDTH EXPOSURE X FIVE (5) TILES. (EXAMPLE FOR NEXCLAD 14: 8 1/2" TILE WIDTH EXPOSURE X 5 = 3'-5 1/2"). NOTE: THIS DIMENSION IS NOT TO THE OUTERMOST EDGE OF THE TILE, IT IS ACTUALLY TO THE EDGE OF THE FACE OF THE TILE EXPOSURE. CARE MUST BE TAKEN TO ENSURE THAT ALL VERTICAL CHALK LINES ARE PLUMB. FOR WALLS WITH CORNERS AT EACH END THE HORIZONTAL TILE EXPOSURE WIDTH SHOULD BE ADJUSTED ACCORDINGLY TO WORK OUT WITH CORNER TILES. NOTE THAT CORNER TILES CAN BE WIDE LEFT OR WIDE RIGHT TILES BASED ON THE RUNNING BOND PATTERN. PLEASE REFER TO TERRA COTTA SHOP DRAWINGS FOR REFERENCE.

HORIZONTAL CHALK LINES SHOULD BE STRUCK AFTER COMPLETION OF THE VERTICAL LINES. AT THE BASE OF THE WALL STRIKE A LINE FOR THE TOP OF THE NEXCLAD STARTER TILE 5" ABOVE THE REFERENCE ELEVATION NOTED ON THE SHOP DRAWINGS. THIS SHOULD PROVIDE A MINIMUM 1/2" AIR GAP BETWEEN THE BOTTOM OF THE STARTER TILE AND THE BASE FLASHING. NOTE: THE ACCURACY OF THIS FIRST CHALK LINE AND THE NEXCLAD STARTER TILE IS CRITICAL TO THE LAYOUT OF THE REMAINDER OF THE WALL. CARE MUST BE TAKEN TO ENSURE THAT ALL HORIZONTAL CHALK LINES ARE LEVEL. THE FIRST FIELD TILE CHALK LINE SHOULD BE EQUAL TO THE AVERAGE ACTUAL HEIGHT OF THE TILES MINUS THE STARTER TILE HEIGHT (TYPICALLY 4 1/2"). (EXAMPLE FOR NEXCLAD 14: TYPICAL 14" TILE HEIGHT MINUS 4 1/2" = 9 1/2"). SUCCESSIVE HORIZONTAL LINES ARE THEN STRUCK AT INTERVALS EQUAL TO THE AVERAGE TILE HEIGHT EXPOSURE.

TERRA COTTA TILES SHOULD THEN BE INSTALLED STARTING AT THE BOTTOM RIGHT CORNER OF THE WALL. STARTER TILES SHOULD BE INSTALLED THE FULL LENGTH OF THE WALL. PERIODICALLY CHECK TO ENSURE THE STARTER TILES ARE INSTALLED ON A LEVEL PLANE. WHEN FIELD CONDITIONS ALLOW, IT IS RECOMMENDED TO INSTALL THE FIRST TWO ROWS OF FIELD TILES THE FULL LENGTH OF THE WALL. THIS WILL HELP TO ESTABLISH A GOOD RUNNING BOND PATTERN AND ENSURE THE WALL IS BALANCED AT THE BEGINNING OF THE INSTALLATION. FIELD TILES SHOULD THEN BE INSTALLED IN A "SPRAY" PATTERN FROM THIS CORNER EXTENDING HORIZONTALLY, VERTICALLY AND DIAGONALLY. THIS INSTALLATION PATTERN WILL ALSO BETTER FACILITATE THE COLOR BLENDING OF THE TILES. PERIODICALLY CHECK TO ENSURE THAT TILES ARE BEING INSTALLED IN A LEVEL, PLUMB MANNER THAT IS CONSISTENT THROUGHOUT THE WALL. WHEN EACH HORIZONTAL COURSE IS 12 TO 16 TILES FROM THE TERMINATING END OF THE WALL, COMPARE THE REMAINING DISTANCE TO THE WIDTH EXPOSURE OF THE TILES. THIS WILL HELP TO DETERMINE IF A SLIGHT CROWDING OR STRETCHING OF THE TILES MAY BE REQUIRED TO ENSURE THE LAST TILE IN THE COURSE FITS APPROPRIATELY WITH THE CORNER TILE. DO NOT CROWD OR PULL TO THE EXTREME ANY MORE THAN 5 OR 6 TILES POSITIONED SIDE BY SIDE.

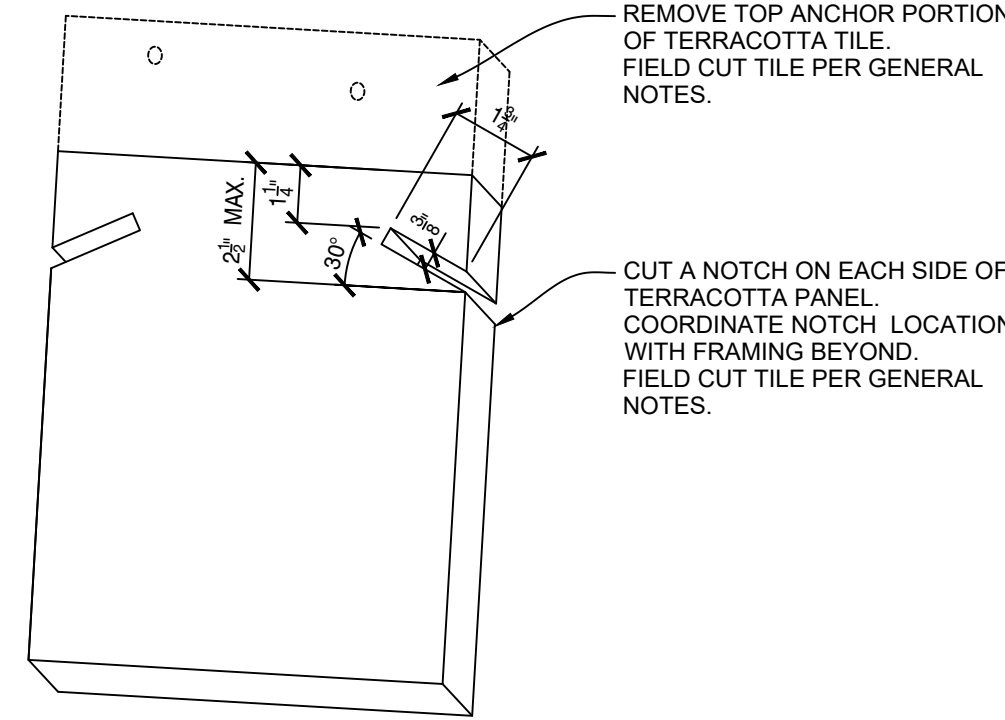
EACH INTERLOCKING TILE IS PROVIDED WITH TWO (2) FASTENING HOLES. WHEN INSTALLING FIELD TILES, CARE SHOULD BE TAKEN TO FASTEN EACH TILE WITH STAINLESS STEEL SCREWS IN EVERY PROVIDED FASTENING HOLE. REFER TO FASTENER SCHEDULE FOR TYPE OF FASTENERS REQUIRED.

REFER TO ADDITIONAL NOTES AND DETAILS ON THIS SHEET FOR FURTHER DETAILED INSTALLATION INSTRUCTIONS.



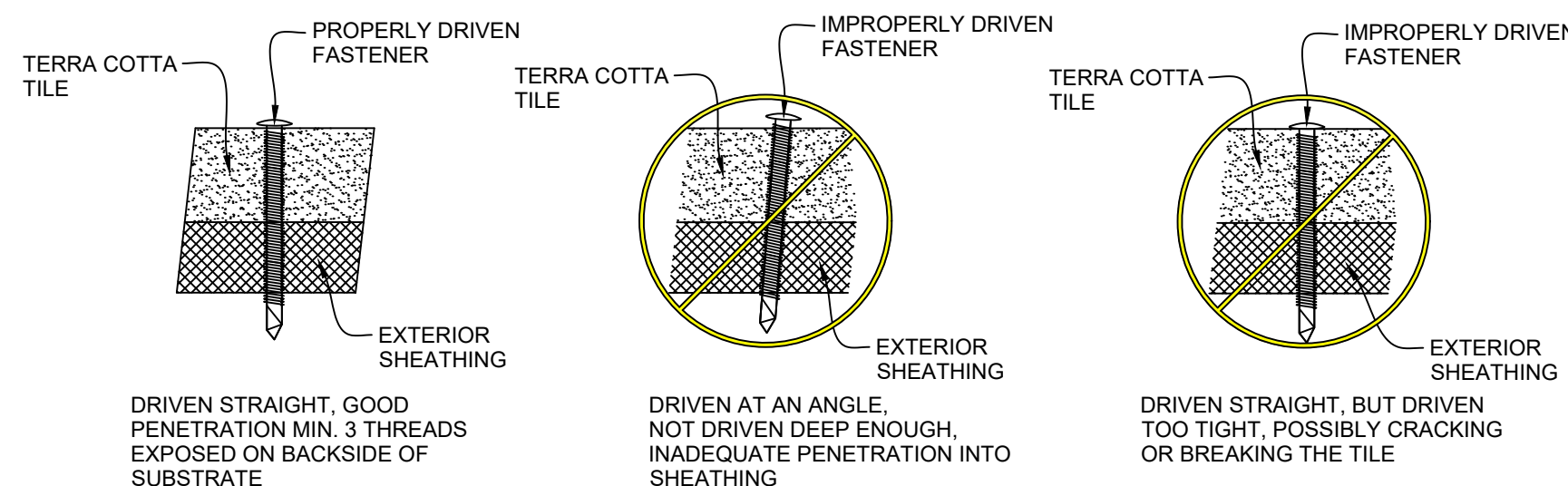
TILE ADHESIVE
SCALE: 3" = 1'-0"

3
T-D1



TILE NOTCHING ANCHOR DETAIL
SCALE: 3" = 1'-0"

4
T-D1



NOTE: REFER TO ADDITIONAL NOTES AND DETAILS FOR FASTENER TYPE AND SUBSTRATE MATERIAL

FASTENER INSTALLATION DIAGRAM
NTS

8
T-D1

COLOR BLENDING NOTES:

BLENDING: BLENDING IS ONE OF THE MOST IMPORTANT ASPECTS OF CORRECTLY INSTALLING TERREAL TERRACOTTA TILE WALL CLADDING. PLEASE SEE NOTES BELOW AND ON SHEET T-C1.

WHETHER INSTALLING A SINGLE COLOR OR MULTIPLE COLORS, ALL TERRACOTTA TILES MUST BE BLENDED.

COLORS WITHIN A GIVEN SHIPMENT OF TERREAL TERRACOTTA TILES WILL VARY SLIGHTLY DUE TO SUBTLE CHANGES IN CLAY COMPOSITION AND KILN FIRING TEMPERATURES. SUCH COLOR VARIANCES ARE NOT A DEFECT BUT A NATURAL DESIRABLE FEATURE THAT GIVES TERRACOTTA TILES DEPTH AND CHARACTER. UNLESS THE ARCHITECT OR OWNER SPECIFIES A PATTERN, THERE SHOULD BE NO VISIBLE PATTERN OR HOT SPOTS IN THE TERRACOTTA TILE INSTALLATION.

TERREAL DOES NOT PRE-BLEND THE TERRACOTTA TILE. IT IS THE INSTALLER'S RESPONSIBILITY TO EVALUATE THE TERRACOTTA TILES FOR COLOR SHADE AND RANGE AND THEN PROPERLY BLEND THEM TO ACHIEVE A HARMONIOUS COLOR INSTALLATION WITHOUT BLOTCHES, HOTSPOTS OR PATTERNS.

THE PERSON RESPONSIBLE FOR THE BLENDING OF THE SHADES OF COLOR SHOULD RANDOMLY SELECT TERRACOTTA TILES FROM AT LEAST FOUR (4) DIFFERENT PALLETS. THE BLENDING PROCESS SHOULD INCLUDE THE CONTINUOUS INCLUSION OF PALLETS INTO THE INSTALLATION ROTATION (A SINGLE NEW PALLET SHOULD BE INSERTED INTO THE BLENDING PROCESS PRIOR TO THE MATERIAL ON THE PREVIOUS THREE (3) PALLETS BEING CONSUMED).

THROUGH THE AFOREMENTIONED BLENDING PROCESS, THE INSTALLATION WILL PROVIDE A PROPER BLEND AND A HARMONIOUS FACADE WITHOUT COLOR VARIATION GROUPING/PATTERNING. AFTER THE INSTALLATION OF ABOUT 75-100 TERRACOTTA TILES, THE INSTALLATION SHOULD BE INSPECTED FROM THE GROUND LEVEL AT A DISTANCE GREATER THAN 40 FEET TO DETERMINE THAT THERE ARE NO STREAKS OR BLOTCHES. TO ENSURE A GOOD RANGE OF TONES, THIS INSPECTION MUST BE DONE AT REGULAR INTERVALS DURING THE INSTALLATION OF THE TERRACOTTA TILES.

COLOR BLENDING WITH DIFFERENT COLOR TILE: BLENDING DIFFERENT TERRACOTTA TILE COLORS CAN PROVIDE A UNIQUE AND AESTHETICALLY PLEASING INSTALLATION.

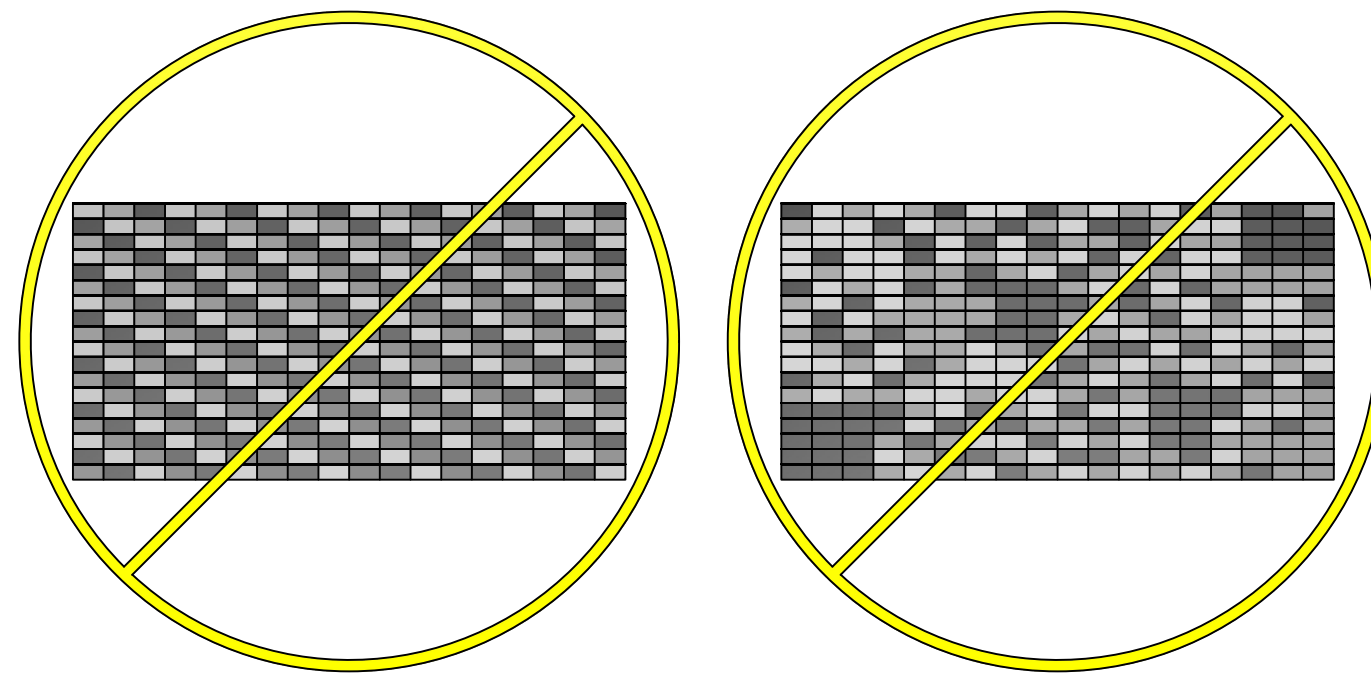
FOR TYPICAL MULTI-COLOR BLENDING PERCENTAGES, THE INSTALLER SHOULD MAKE A DRAWING TO DETAIL THE LAYOUT AND TO HELP DETERMINE THE PROPER NUMBER OF TERRACOTTA TILES OF EACH COLOR. FOR UNIQUE OR SPECIFIC BLENDING PATTERNS PROVIDED BY THE ARCHITECT, PLEASE REFER TO THE TERRACOTTA SHOP DRAWINGS FOR ADDITIONAL INFORMATION.

IN ORDER TO MAINTAIN THE CORRECT COLOR BLEND, PULL TERRACOTTA TILES FROM THE DIFFERENT PALLETS OF EACH COLOR AS PREVIOUSLY MENTIONED ABOVE. PREMIX THESE PILES IN THE DESIRED PERCENTAGE AND USE THIS SELECTION OF TERRACOTTA TILES FOR INSTALLATION. THIS WILL PROVIDE EVEN DISTRIBUTION. ADDITIONAL CARE SHOULD BE TAKEN BY THE INSTALLATION PERSONNEL TO AVOID CLUMPING OF A SINGLE COLOR OR RANGE.

AFTER THE INSTALLATION OF ABOUT 75-100 TILES, THE INSTALLATION SHOULD BE INSPECTED FROM THE GROUND LEVEL AT A DISTANCE GREATER THAN 40 FEET TO DETERMINE THAT THERE ARE NO STREAKS OR BLOTCHES. TO ENSURE A GOOD COLOR BLEND, THIS INSPECTION MUST BE DONE AT REGULAR INTERVALS.

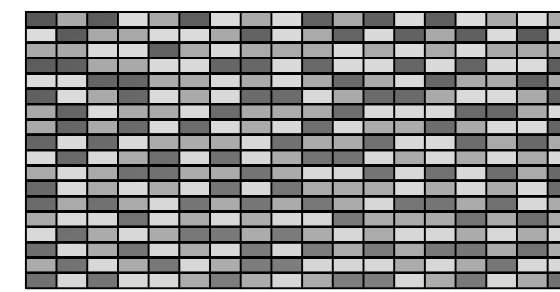
NOTE: IT MAY BE HELPFUL TO LAY OUT THE TERRACOTTA TILE BLEND ON THE GROUND SO THE INSTALLER HAS A VISUAL EXAMPLE. MAKE ONE PERSON RESPONSIBLE FOR THE ONGOING AND END RESULT OF THE BLENDING.

NOTE: WHEN NEARING THE END OF THE PROJECT, IF IT'S DETERMINED THAT ADDITIONAL MATERIAL WILL BE NEEDED TO COMPLETE THE INSTALLATION, RESERVE SEVERAL PALLETS OF THE INITIAL SHIPMENT TO BLEND WITH LATER SHIPMENTS TO MAINTAIN A CONSISTENT RANGE.



IMPROPERLY BLENDED TILES. DO NOT INSTALL IN A REPEATING PATTERN

IMPROPERLY BLENDED TILES. THERE SHOULD BE NO "HOTSPOTS" OR DIAGONAL PATTERNS VISIBLE

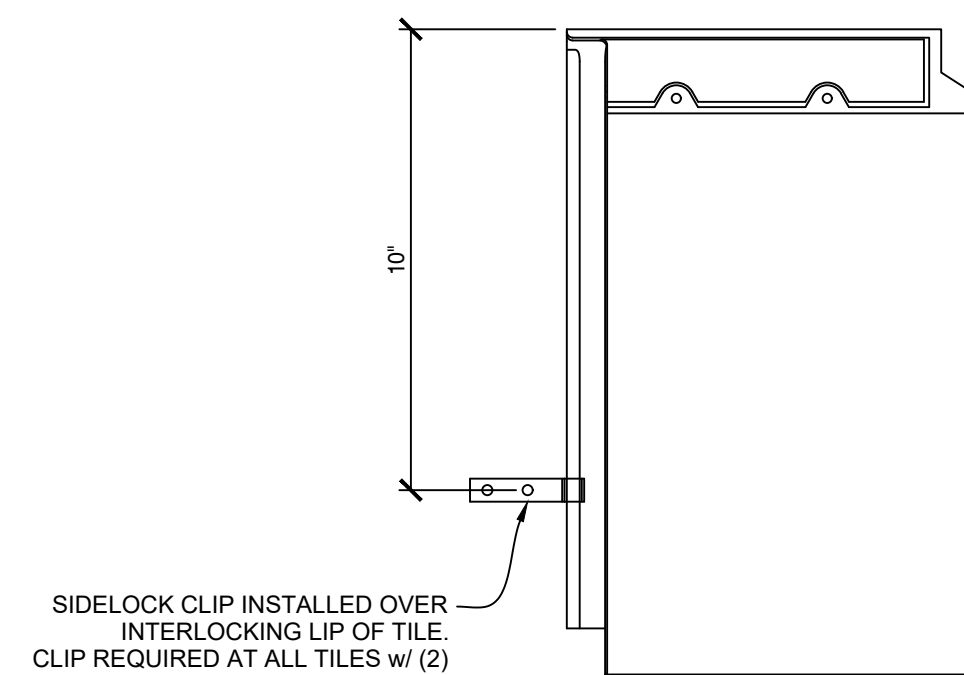


PROPERLY BLENDED TILES

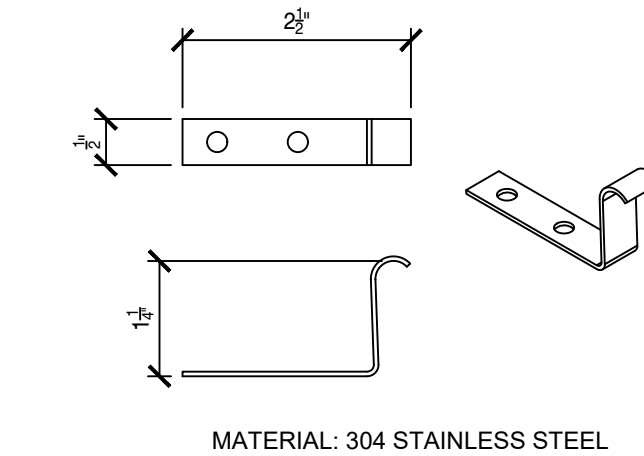
TILE COLOR BLENDING

PLEASE NOTE: DETAILS SHOW BLENDING OF THREE (3) COLORS AS AN EXAMPLE ONLY. IT IS NOT PROJECT SPECIFIC.

2
T-D1



SIDELOCK CLIP INSTALLED OVER INTERLOCKING LIP OF TILE. CLIP REQUIRED AT ALL TILES w/ (2) SF-5 STAINLESS STEEL FASTENERS



SIDELOCK CLIP
SCALE: 3" = 1'-0"

5
T-D1



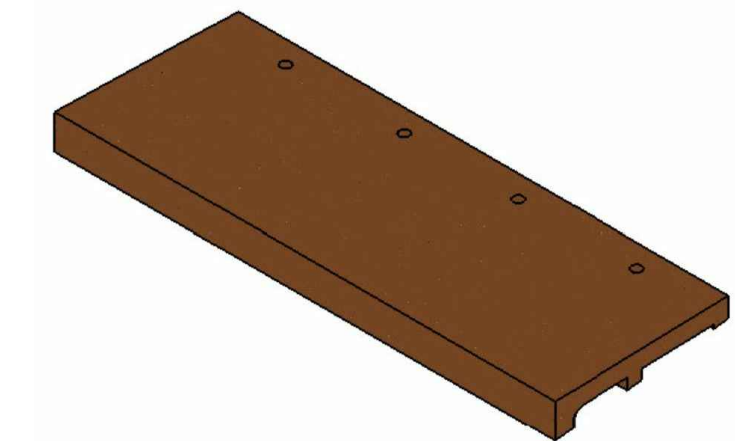
TERREAL DRAINAGE PLANE NOTES:

THE DRAINAGE PLANE ENABLES MOISTURE TO DRAIN BETWEEN THE FINISH CLADDING AND THE BUILDING'S AIR AND MOISTURE BARRIER WHILE PROMOTING AIR CIRCULATION THROUGH THE DRAINAGE PLANE CAVITIES.

PRODUCT SIZE: 3/16" THICK, 50 FT. ROLL LENGTH, 31.5 IN. ROLL WIDTH, 132 SF ROLL COVERAGE

INSTALLATION:

- INSTALL THE DRAINAGE PLANE MATERIAL OUTBOARD OF THE WATER RESISTIVE BARRIER, WITH THE CORRUGATION RUNNING VERTICALLY AND THE FABRIC FACING OUTWARD.
- BACK WRAP THE FABRIC SKIRT TO CREATE A BUG SCREEN ON THE LOWEST COURSE. THE 4" FABRIC SKIRT WILL LAP IN A SHINGLE FASHION FOR SUBSEQUENT COURSES.
- THE CORRUGATED PLASTIC IS TO BE BUTTED AT THE SEAMS, BUT DO NOT NEED TO ALIGN. DO NOT OVERLAP THE PLASTIC OR WRAP THE MATERIAL AROUND CORNERS.
- FASTEN THE DRAINAGE PLANE MATERIAL VERTICALLY AND HORIZONTALLY EVERY 24" O.C. MINIMUM WITH A HAMMER STAPLER OVER NAILABLE SURFACES. NO SCREW FASTENERS.



NEXCLAD 14 STARTER TILE
NTS

6
T-D1



NEXCLAD 14 CORNER TILES
NTS

7
T-D1

FASTENER SCHEDULE

FASTENER IDENTIFICATION	FASTENER DESCRIPTION	FASTENER MANUFACTURER OPTIONS	FASTENER INSTALLATION REQUIREMENTS	FASTENER STRUCTURAL REQUIREMENTS	FASTENER SUPPLIER
SF-5	#10 x 1 1/2" BUTTON HEAD, 300 SERIES, STAINLESS STEEL WOOD FASTENER	• TERREAL N.A. ITEM: NEXCLAD 14/16 SIDELOCK CLIP FASTENER TO SHEATHING	• ONLY TWO (2) FASTENERS REQ'D PER TILE	• MANUFACTURER'S STANDARD PUBLISHED DATA - NEXCLAD 14	TERREAL NORTH AMERICA
SF-6	#10 x 2 1/2" BUTTON HEAD, 300 SERIES, STAINLESS STEEL WOOD FASTENER	• TERREAL N.A. ITEM: NEXCLAD 14/16 TILE FASTENER TO SHEATHING	• ONLY TWO (2) FASTENERS REQ'D PER TILE	• MANUFACTURER'S STANDARD PUBLISHED DATA - NEXCLAD 14	TERREAL NORTH AMERICA